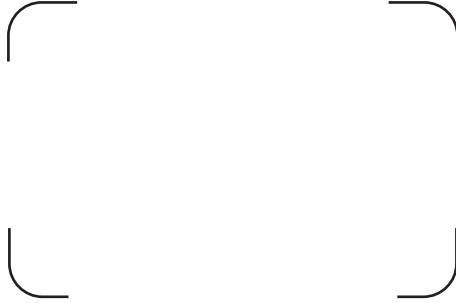


AS 240

OUTDOOR SOUNDER

SERVICE



**EDS Elektronik Destek
Sanayi ve Ticaret Ltd. Şti.**

Meclis Mah. Teraziciler Cad.
Kılıç Sok. No:4 34785
Sarıgazi/ İstanbul
Tel.: +90 216 528 45 00
Fax: +90 216 314 17 80
www.eds.com.tr eds@eds.com.tr

KK-AS240E/0601-2
T:/p/akkeds/ing/AS240eng



General

AS 240 Series Outdoor Sirens are aesthetically designed, high quality sirens for outdoor usage. These products are compatible with all security systems, durable for any kind of weather conditions and impact.

Sirens are protected with outer plastic material (inner metal cover is optional).

AS 240 Series Sirens are compatible with all alarm panels. Interior tamper key, walking LED display is available against the tamper and system disorders. The piezo buzzer with extremely high sound level capacity used for AS240 series sirens.

AS 240 Series Siren are designed for installation without screw.

Technical Specifications

Model	AS 240
Operating voltage	13.6VDC
Stand-by current	38mA
Alarm current	450mA
Voice output	102dB-108dB
Voice frequency	2.8-4Khz
Programmable siren period	Selectable (5 min.)
Start time set-up	5/15min. selectable
Siren supervise resistor	- and +
Buzzer	Single Piezo
Trigger type	Negative/Positive selectable
Light output	100.000p/Lum
Flasher life	1.000.000
Flasher frequency	120/min.
Colour of flasher	Red/Blue
LED display	Walking LED
Tamper	Available
Environment	Outdoor
Application	Alarm Panels
Housing	ABS Plastic
Colors of housing	White, Metallic Grey
Dimensions	210x320x80
Weight	920gr
Operating temperature	-10°C ~ +50°C

Optional Accessory

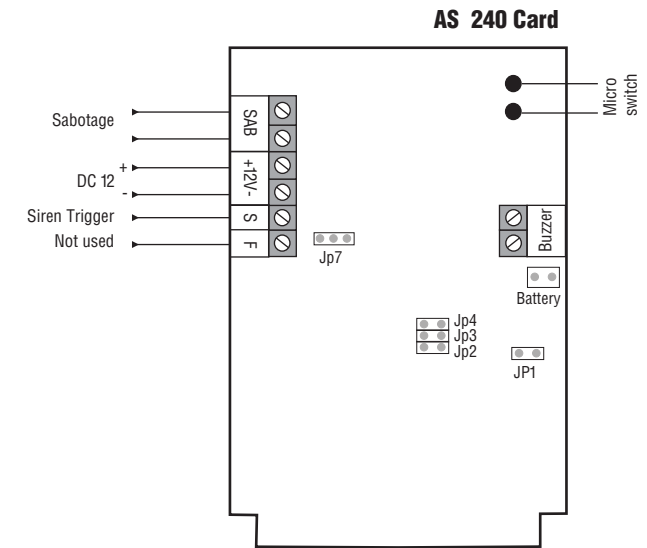
Battery	6V 280mAH NiCd
Inner cover	Galvaniz sac
Piezo	2. Piezo

Connections

Figure: 9

Factory Defaults Values

JP 1 :	OFF
JP 2 :	OFF
JP 3 :	OFF
JP 4 :	OFF
JP 7 :	Negative



Function	Jumper	OFF	ON
Voltage type	JP 1	Panel powered siren	Battery powered siren
Start time set-up	JP 2	-	5 min
Trigger type	JP 3	Negative	Positive
Siren period	JP 4	5 min.	15 min.
Siren supervise time	JP 7	N: Negative Trigger P: Positive Trigger	

Warning & Cautions

Please read the manual before attempting installation or operation

WAIT 3 minutes after the strobe stops flashing before removing the cover

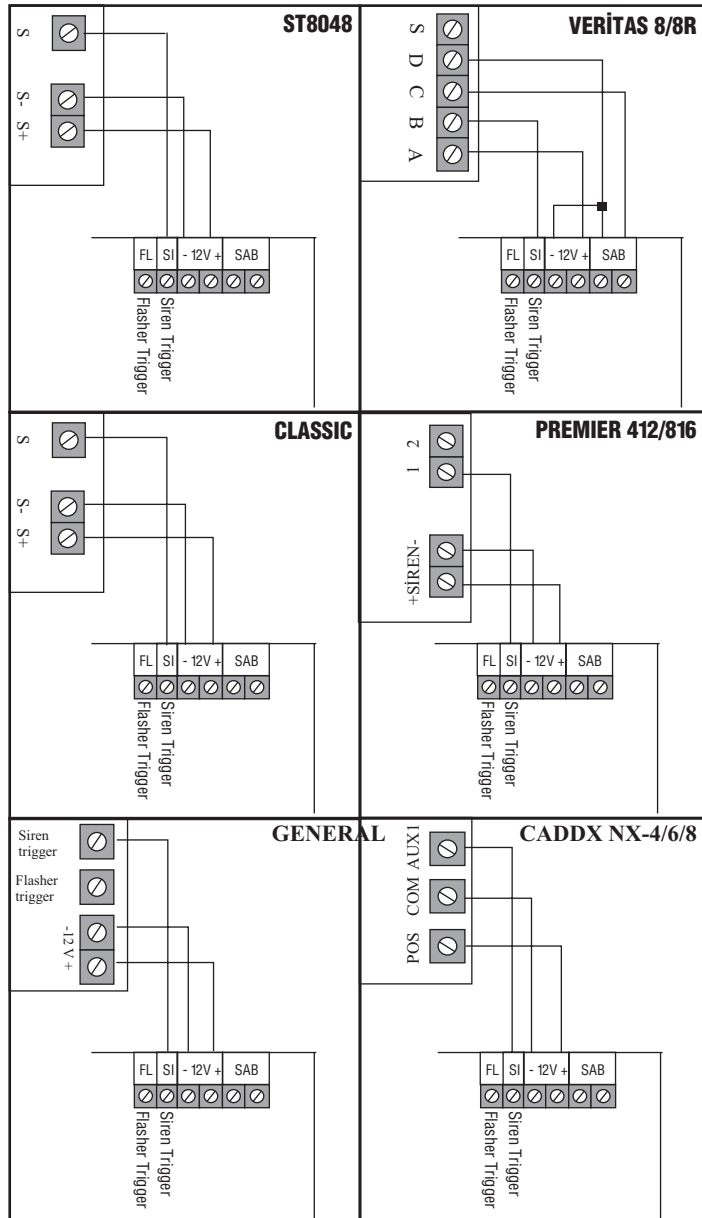
Do not throw into a fire

Do not reverse charge

Do not short-circuit

Turn off the power immediately and contact the technician when the occurs.

Panel Connections



CADDX NX 4/6/8 AUX1 programmer:

* 8 9 7 1 3 0 #	(Prg. input)
47 #	(Location(Menu) NO)
7 *	(Prg. Output options)
max.0 - 255dk	(output active 0-.255min.)
	(Prg. Output)

* 46 # 1 * * * EXIT

Mount

Opening The Top Cover Before Mounting

- 1-Turn the siren upside-down to open the cover, push the 'M' latch upwards and pull the cover below. (Figure 1)
- 2-Mark the screw holes and suspender places on the wall with the aid of box bottom plastic or template on the package for mounting. (Figure 2)
- 3-Set the electricity connections of the card as shown in Electricity Connections/Figure:9 and draw attention to the sample Panel Connection section.
- 4-Place the battery to the slot shown in Figure 3. Be careful with the polarities and the direction of the battery. (a battery, fix it with the cable bound and open-circuit the Jp1)
- 5-After completing the electricity and battery connections, place the transparent protection cover on the card. (Figure 4)

Attaching the Top Cover

Place the 'A' nails as they would fit into the 'B' holes as shown in Figure:7 and then make the latch be attached to 'M' point by pressing the top cover.

Opening The Top Cover After Mounting

Push 'M' latch in Figure:7 with a straight screw and lift the top cover. Push the cover upwards to let the 'A' nails release and remove the cover.

Mounting the Metal Cover

Mount the optionally provided metal cover as shown in Figure:8.

Important Mounting Notes

- 1- It should be at least 5cm below the ceiling in order to be able to open the top cover during assembly.
- 2- Choose a clean and smooth surface for easy mounting.
- 3- Use 4 units of M4+52 metal screw and M8 dubel(plastic screw holder in-wall)

Mount

Figure: 1

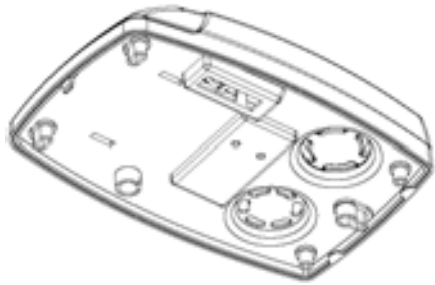


Figure: 2

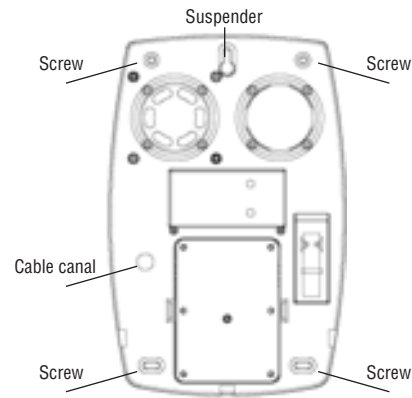


Figure: 3

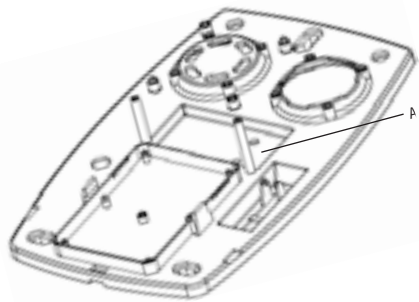
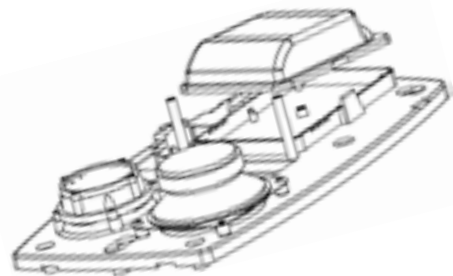


Figure: 4



Mount

Figure: 5

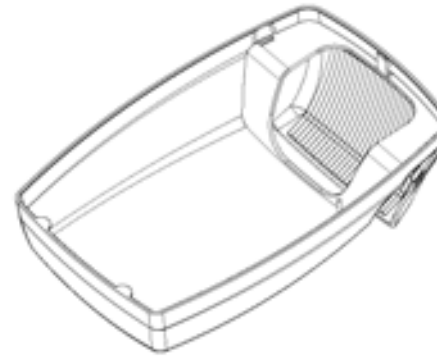


Figure: 6



Figure: 7

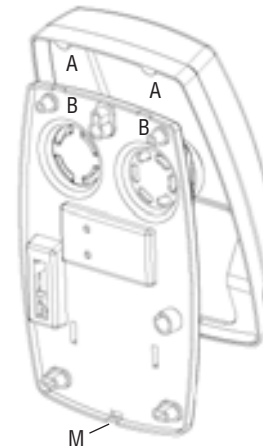


Figure: 8

Mounting The Metal cover
(The metal cover is optional)

